



**KTN**  
**Kunststoff-Technik Neumarkt**  
GmbH

**protecting  
the source of life**

**Components for  
water- and wastewater treatment**

**newair<sup>®</sup>**

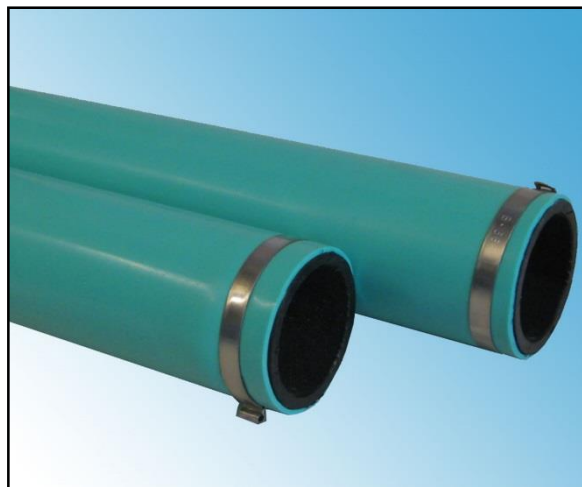
**Tube diffuser Tuboflex Silicone**

[www.kt-n.com](http://www.kt-n.com)

## Tube diffuser Tuboflex Silicone

### Product properties

- low installation costs
- high operational safety
- powerful
- low maintenance
- low-cost construction
- application : - continuous  
- intermittent



### Dimensions

Type	Perforation length [mm]	Total length [mm]	Tube diameter [mm]	Wall thickness [mm]	Perforated area [m²]	Total weight [kg]
TBA - 500	450	490	63	9,4	0,09	0,8
TBA - 750	700	735	63	9,4	0,14	1,1
TBA - 1000	1000	1025	63	9,4	0,19	1,4

Connection	Double nipple for square pipe 80 x 80 mm	Double nipple for square pipe 100 x 100 mm
¾" internal thread	130 mm	150 mm
1" internal thread	130 mm	150 mm

TBA - 1001

TBA - 1002

TBA - 1003

TBA - 1004

TBA - 1005

TBA - 1501

TBA - 1502

TBA - 1503

TBA - 1504

TBA - 1505

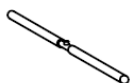
TBA - 2001

TBA - 2002

TBA - 2003

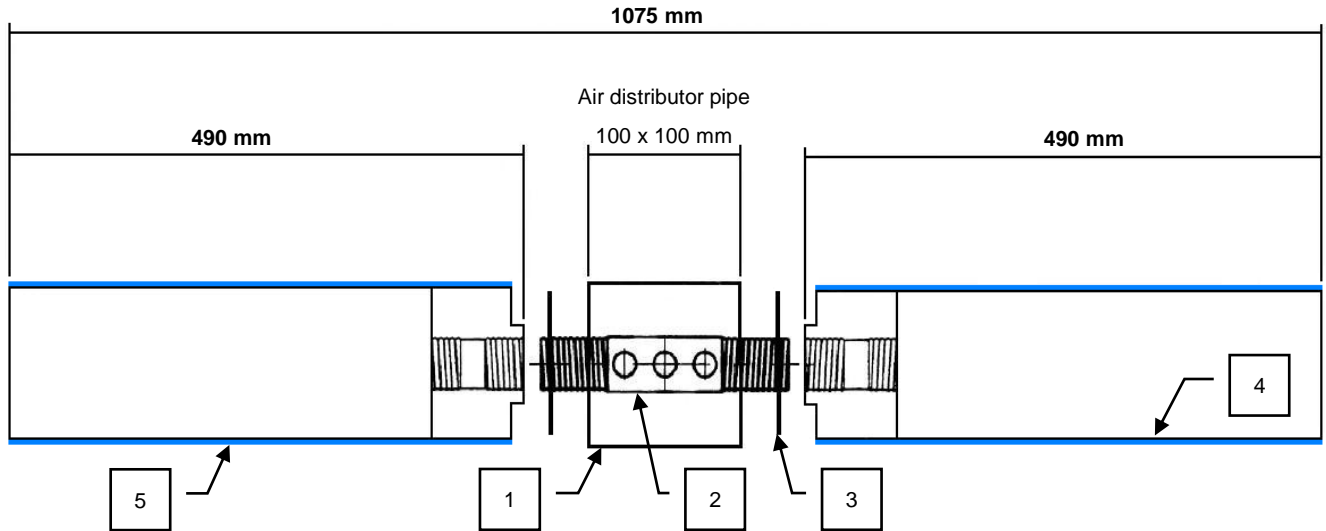
TBA - 2004

TBA - 2005



## Tube diffuser Tuboflex Silicone

### Installation drawing



### Material of the single components

No	Description	Material
1	Air distributor square pipe 100 x 100 mm	V4A; material.: 1.4571
2	Double nipple with 3/4" external thread	V4A; material.: 1.4571
3	Gasket	EPDM / Silicone
4	Support tube	PE
5	Membrane	Silicone

### Air flow

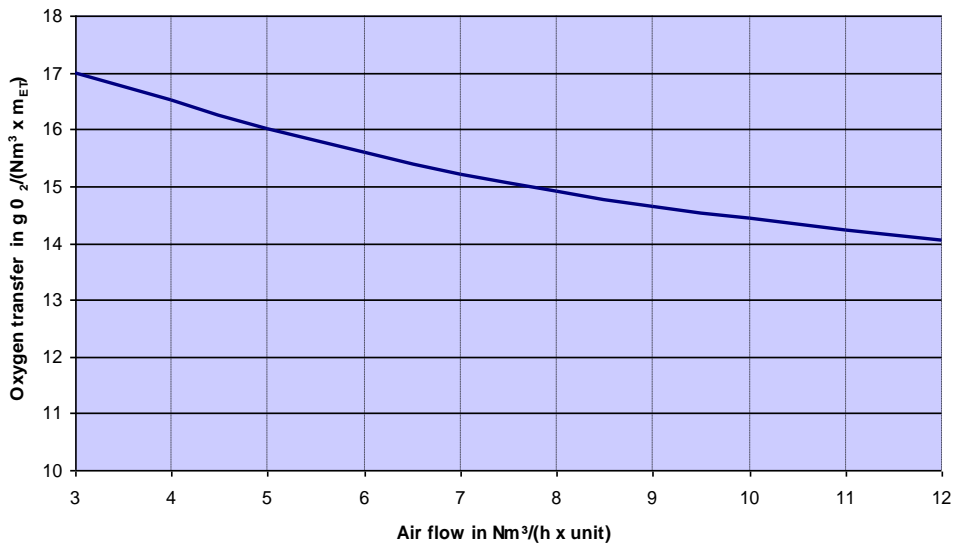
Pore size [µm]	Air flow area [Nm³/h x m unit]	Optimal air flow [Nm³/h x m unit]	Operating procedure	Application
60	3 - 12	7	continuous intermittent	Aeration tank
100	5 - 18	11	continuous intermittent	Aeration tank
150	7 - 25	15	continuous intermittent	Grit chamber tank

All data are approximate data !

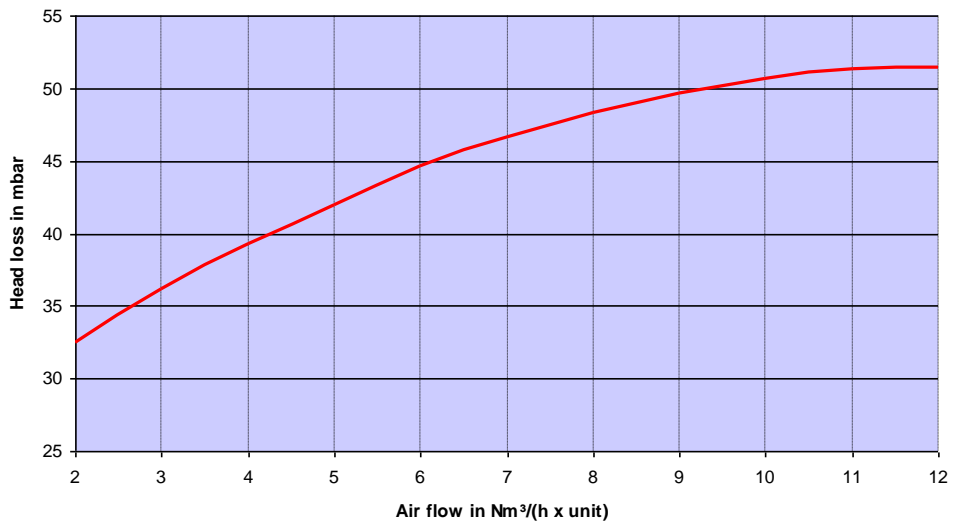
**Tube diffuser Tuboflex Silicone**

**Oxygen transfer and head loss**

**Oxygen transfer tube diffuser Tuboflex Silicone 60 µm**



**Head loss tube diffuser Tuboflex Silicone 60 µm**



Comparable values can only be obtained with a similar experimental setup and similar conditions. Depending on the tank geometry, tube size, slit chart, material, water depth and planar allocation, the quoted values can change.

## Tube diffuser Tuboflex Silicone

---

### Air flow

The **optimal air flow area** of tube diffusers Tuboflex Silicone ranges from **3 to 25 Nm<sup>3</sup>/(h x unit)** depending on the perforation.

### Storage

Diffuser and/or rubber sleeves must be stored factory-packed in a dark, dry, ventilated and dust-free storage space according to DIN 7716. Avoid frost, heat, UV-radiation, dust and working which can cause damage of diffuser and/or packing. Do not store outdoors! The storage of rubber parts until installation /starting operation should not exceed one year. At on-site delivery, all rubber and plastic parts must be stored in their original packaging. Crates exposed to direct sunlight must be covered with tarpaulin to protect against UV-radiation.

### Maintenance

Diffusers can only be checked, while the activated sludge tank is out of work and empty. Therefore conventional cleaning must be done during the process. Formic acid is used very successfully against scale. To keep the pores open, formic acid is sprayed into the compressed air for a short time. Also a regular use with maximum air flow for a short time helps keeping the diffuser in good condition for a long time. (refer to Maintenance Manual).

### Membrane lifetime

More than 5 years in municipal wastewater treatment plants, depending on wastewater compound and operating method.